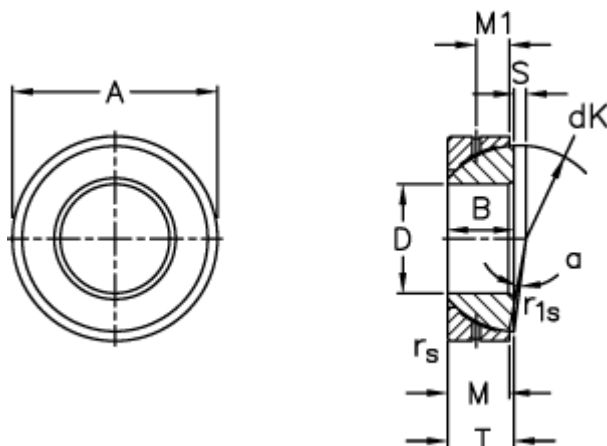


Article number: 03509095

Description: Fluro Rod end GE 95SX

Measures



A	= 145 0 -0,020	S	= 10.8
B	= 32	Static load C0 (kN)	= 1750
D	= 95 0 -0,020	T	= 32 +0,25 -0,60
dK	= 135	Tilt angle	= 2
Dynamic load C (kN)	= 345	Weight	= 2220
M	= 29.5		
M1	= 16		
rs, r1s min	= 1.5		